



QF Duct system

**The flexible duct system for your
dust extraction systems**

Folded QF Ducting

Folded QF Ducting



The folded QF Duct system is manufactured from fully galvanised sheets and is characterised by great stability of form and a smooth surface.

The components have a rolled edge, over which the QF clip is fitted. The clip has an inner gasket to ensure that an air tight seal is achieved. It requires no tools to assemble or modify.

The QF Duct system has a complete accessory range with 60° Y-pieces, 30° branches, 30° cut-in branches, adapters, reducers, sliding dampers, automatic dampers, etc. It ensures individual fitting and great flexibility – including adaptation to other duct systems.

- *Simple to install*
- *faster installation*
- *Clamp together*
- *components can be taken apart and reused*
- *Easy to connect*
- *to existing duct work*
- *Components and adapters*
- *make it fit every system*
- *Adjustable QF fitting*
- *simplifies duct connections*
- *Smoother interior surfaces*
- *help to prevent clogs*

Summary

Duct / Slip duct / O-ring / Clip.....	4
Pressed bends	5
Segmented (long radius) bends.....	6
Branch / Double branch.....	7
Y-Branch / T-Branch.....	8
Cut-in branch / Cut-in T-branch.....	9
Adapters / End cap	10
Deflector cap / Reducers.....	11
Transitions.....	12
Silencer / Suction hood / Floor sweep / Split strap.....	13
Manual energy saving damper type SBMS.....	14
Automatic energy saving damper type SBAS.....	15



Page 4



Page 4



Page 4



Page 4



Page 5



Page 6



Page 7



Page 7



Page 8



Page 8



Page 9



Page 9



Page 10



Page 10



Page 11



Page 11



Page 12



Page 13



Page 13



Page 13



Page 13

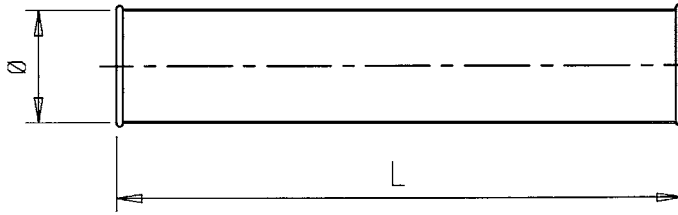


Page 14



Page 15

Ducts



Manufactured from long-seamed gal-
vanised mild steel sheets and available
in one length.

E.g.: 20915.250

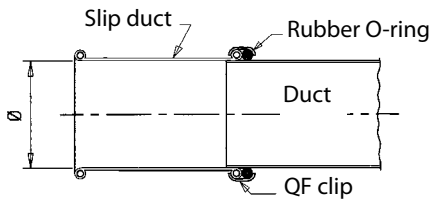
Type _____ ↑

Diameter (Ø) _____ ↑

* Ø80 only 980 mm

Type	Length in mm (L)	Diameter (Ø)																		
20915	1500	80*	100	125	140	150	160	180	200	224	250	300	315	350	400	450	500	550	630	710

Slip ducts



Galvanised mild steel.

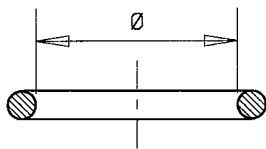
E.g.: 20000.250

Type _____ ↑

Diameter (Ø) _____ ↑

Type	Length in mm (L)	Diameter (Ø)																		
20000	262-278	80	100	125	140	150	160	180	200	224	250	300	315	350	400	450	500	550	630	710

Rubber O-ring



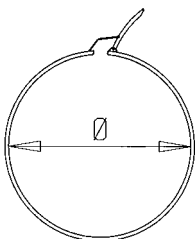
E.g.: 30106.250

Type _____ ↑

Diameter (Ø) _____ ↑

Type	Diameter (Ø)																		
30106	80	100	125	140	150	160	180	200	224	250	300	315	350	400	450	500	550	630	710

QF clips



Two types of galvanised QF clips. Type 30100.XXX with galvanised clamp (see figure). Type 30109.XXX with a bolt.

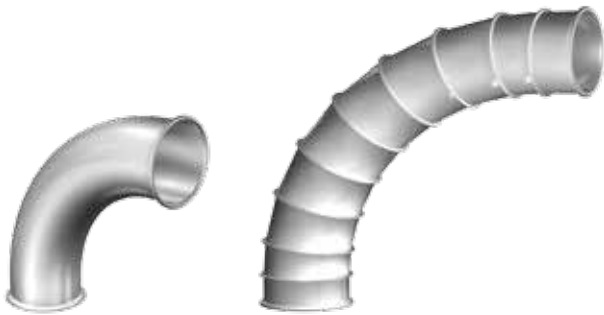
E.g.: 30100.250

Type _____ ↑

Diameter (Ø) _____ ↑

Type	Diameter (Ø)																		
30100	80	100	125	140	150	160	180	200	224	250	300	315	350	400	450	500	550	630	710
30109																			

Bends

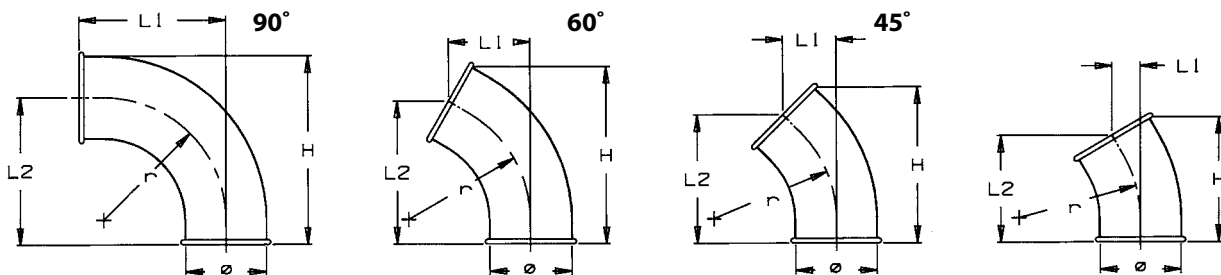


Pressed or segmented galvanized mild steel bends.

E.g.: 21003.250
 Type
 Diameter (Ø)

Type	Angle	Diameter (Ø)																		
21003	30°	80	100	125	140	150	160	180	200	224	250	300	315	350	400	450	500	550	630	710
21004	45°																			
21006	60°																			
21009	90°																			

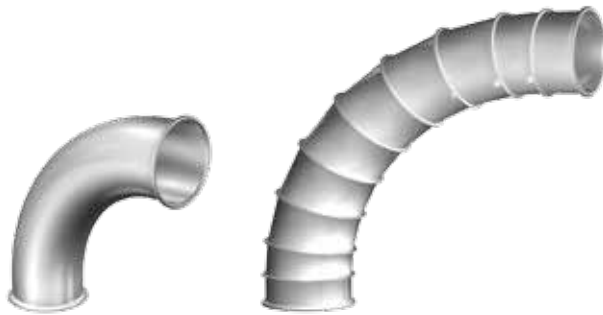
Pressed bends



Dimensions (all dimensions in mm) $r = 1 \times \text{Ø}$

90°						60°						45°						30°					
Ød	r	L1	L2	H	kg	Ød	r	L1	L2	H	kg	Ød	r	L1	L2	H	kg	Ød	r	L1	L2	H	kg
80					0,20	80					0,20	80					0,18	80					0,15
100	100	130	130	180	0,25	100	100	95	165	210	0,28	100	100	50	125	165	0,20	100	100	30	105	135	0,18
125	125	158	158	216	0,45	125	125	100	185	235	0,41	125	125	55	140	185	0,29	125	125	30	125	150	0,23
140	140	165	165	235	0,60	140	140	90	190	230-240	0,53	140	140	60	150	190	0,41	140	140	35	130	160	0,34
150	150	180	180	255	0,80	150	150				0,60	150	150				0,50	150	150				0,40
160	160	190	190	265	0,80	160	160	105	215	260-275	0,68	160	160	65	160	215	0,51	160	160	35	135	170	0,41
180	180	205	205	295	1,0	180	180	110	230	280-290	0,76	180	180	70	170	235	0,61	180	180	35	145	185	0,49

Bends

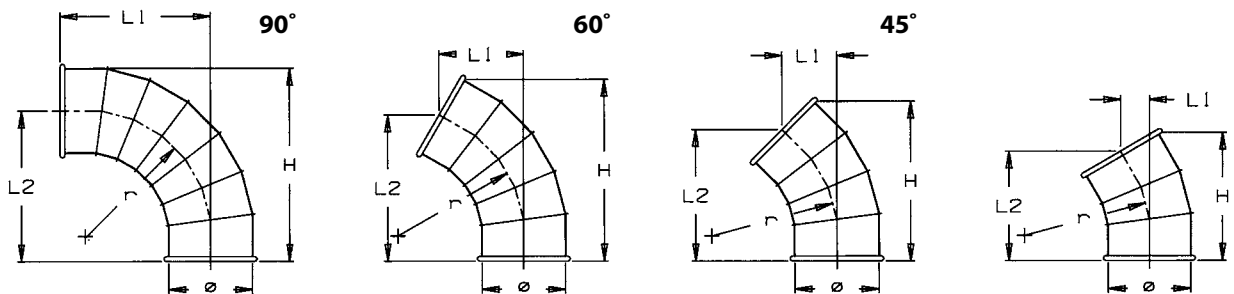


Pressed or segmented galvanised mild steel bends.

E.g.: 21003.250
 Type
 Diameter (Ø)

Type	Angle	Diameter (Ø)																		
21003	30°	80	100	125	140	150	160	180	200	224	250	300	315	350	400	450	500	550	630	710
21004	45°																			
21006	60°																			
21009	90°																			

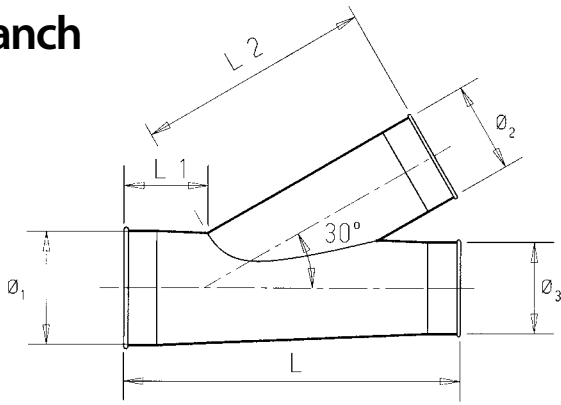
Segmented long radius bends



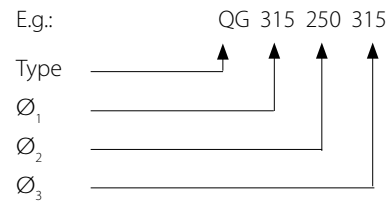
Dimensions (all dimensions in mm) $r = 1,5 \times \varnothing$

		106590°					60°					45°					30°						
Ød	r	L1	L2	H	kg	Ød	r	L1	L2	H	kg	Ød	r	L1	L2	H	kg	Ød	r	L1	L2	H	kg
200	300	405	405	518	2,40	200	300	225	410	500	1,80	200	300	155	360	430	1,80	200	300	65	300	350	1,15
224	336	415	415	527	3,10	224					2,10	224					2,20	224					1,50
250	375	438	438	550	3,30	250	375	260	410	510	2,35	250	375	160	370	460	2,30	250	375	70	310	380	1,80
300	450	500	500	650	4,50	300					3,50	300					2,90	300					2,10
315	472	548	548	705	4,90	315	472	270	500	630	4,10	315	472	180	415	525	3,20	315	472	80	340	420	2,45
350	525	595	595	770	5,90	350	525	295	540	700	5,10	350	525	190	455	580	3,40	350	525	90	365	450	2,85
400	600	655	655	855	10,60	400	600	310	585	760	7,30	400	600	195	510	650	5,50	400	600	95	385	490	4,20
450	675	730	730	955	12,00	450	675	345	640	840	8,70	450	675	200	540	690	6,60	450	675	100	395	505	4,80
500	750	790	790	1040	14,00	500	750	380	680	895	10,20	500	750	205	595	745	7,60	500	750	105	410	535	5,50
560	840	875	875	1155	29,30	560					20,80	560					16,70	560					12,70
630	945	980	980	1295	37,30	630					24,60	630					20,10	630					15,70
710	1065	1100	1100	1632	47,00	710					36,40	710					26,40	710					20,20

Branch



Galvanised mild steel branch. \varnothing_2 and \varnothing_3 are always equal to or smaller than \varnothing_1 .



$L = \text{approx. } 2 \times \varnothing_2 + 120 \text{ mm}$

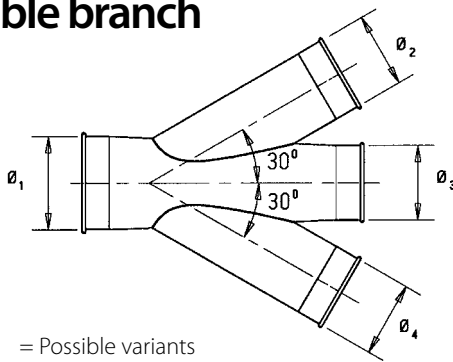
$L_1 = \text{approx. } 100 \text{ mm}$

$L_2 = \text{approx. } 1.7 \times \varnothing_2 + 120 \text{ mm}$

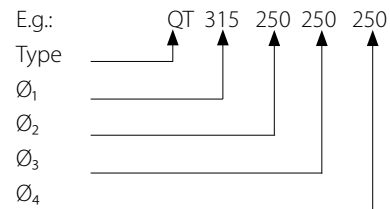
= Possible variants

		Diameter \varnothing_2																		
\varnothing_1		80	100	125	140	150	160	180	200	224	250	300	315	350	400	450	500	560	630	710
80																				
100																				
125																				
140																				
150																				
160																				
180																				
200																				
224																				
250																				
300																				
315																				
350																				
400																				
450																				
500																				
560																				
630																				
710																				

Double branch



Galvanised mild steel double branch. \varnothing_2 , \varnothing_3 and \varnothing_4 are always equal to or smaller than \varnothing_1 .

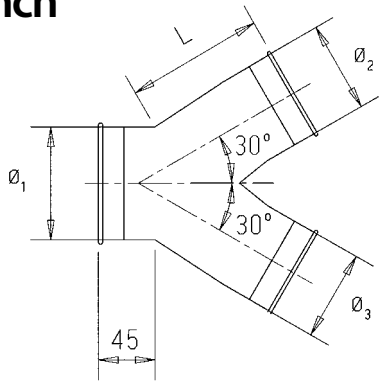


The length of the double branch is dependent on the diameter.

= Possible variants

		Diameter \varnothing_2																		
\varnothing_1		80	100	125	140	150	160	180	200	224	250	300	315	350	400	450	500	560	630	710
80																				
100																				
125																				
140																				
150																				
160																				
180																				
200																				
224																				
250																				
300																				
315																				
350																				
400																				
450																				
500																				
560																				
630																				
710																				

Y branch



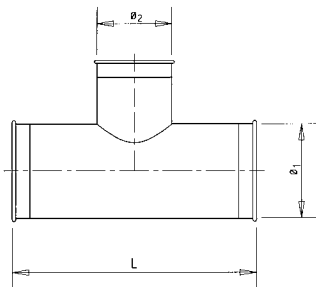
Galvanised mild steel Y branch. Ø_2 and Ø_3 are always equal to or smaller than Ø_1 .

E.g.: QB 315 250 250
 Type _____
 Ø_1 _____
 Ø_2 _____
 Ø_3 _____
 L = $\text{Ø}_1 + 100 \text{ mm}$

= Possible variants

	Diameter Ø_2																		
Ø_1	80	100	125	140	150	160	180	200	224	250	300	315	350	400	450	500	560	630	710
80																			
100																			
125																			
140																			
150																			
160																			
180																			
200																			
224																			
250																			
300																			
315																			
350																			
400																			
450																			
500																			
560																			
630																			
710																			

T branch



Galvanised T branch.
 Ø_1 to Ø_1 must be the same dimension, however, Ø_2 has to be equal to or smaller than Ø_1 .

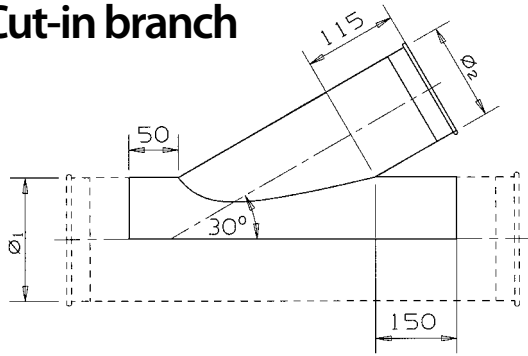
Please specify diameter Ø_2 .

E.g.: 22070. 250
 Type _____
 Ø_1 _____
 L = $\text{Ø}_2 + 2 \times 150 \text{ mm}$

= Possible variants

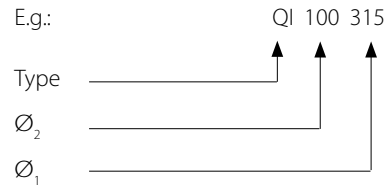
	Diameter Ø_2																		
Ø_1	80	100	125	140	150	160	180	200	224	250	300	315	350	400	450	500	560	630	710
80																			
100																			
125																			
140																			
150																			
160																			
180																			
200																			
224																			
250																			
300																			
315																			
350																			
400																			
450																			
500																			
560																			
630																			
710																			

Cut-in branch



Galvanised mild steel.

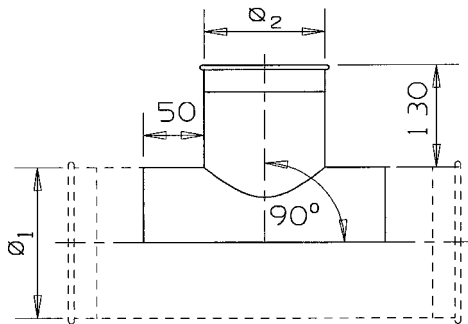
\varnothing_2 is always equal to or smaller than \varnothing_1 .



= Possible variants

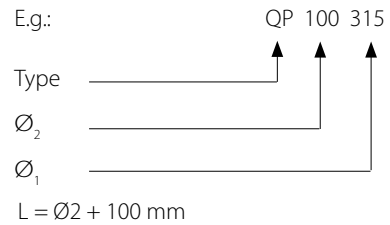
	Diameter \varnothing_2																			
\varnothing_1	80	100	125	140	150	160	180	200	224	250	300	315	350	400	450	500	560	630	710	
80																				
100																				
125																				
140																				
150																				
160																				
180																				
200																				
224																				
250																				
300																				
315																				
350																				
400																				
450																				
500																				
560																				
630																				
710																				

Cut-in T-branch



Galvanised mild steel.

\varnothing_2 is always equal to or smaller than \varnothing_1 .

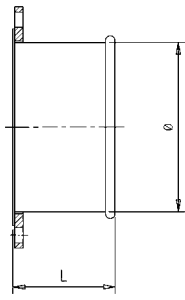


= Possible variants

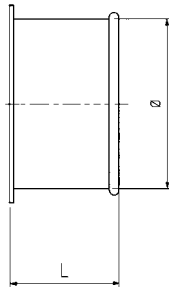
	Diameter \varnothing_2																			
\varnothing_1	80	100	125	140	150	160	180	200	224	250	300	315	350	400	450	500	560	630	710	
80																				
100																				
125																				
140																				
150																				
160																				
180																				
200																				
224																				
250																				
300																				
315																				
350																				
400																				
450																				
500																				
560																				
630																				
710																				

Adapters

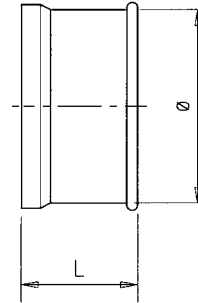
Galvanised mild steel. Used for adjustment of the QF duct system to non-QF duct systems or to machines.



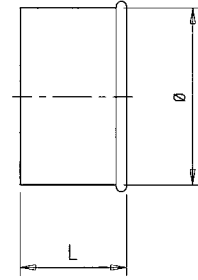
22007
QF adapter with flange.
L = 50 mm.



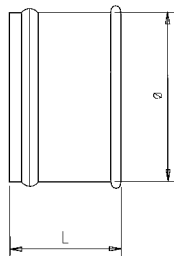
22008
QF adapter for tubular rivets.
L = 46 mm.



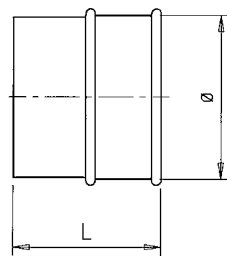
22009
QF adapter with stepedge.
L = 58 mm.



22010
QF smooth adapter.
L = 58 mm.



22013
QF hose adapter.
L = 58 mm.



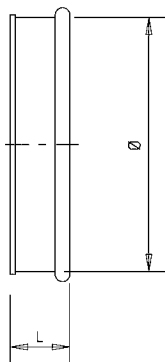
22014
QF adapter for spiro.
L = 58 mm (for dia. 100-180).
L = 116 mm (for dia. 200-500).



E.g.: 22010.250
Type
Diameter (Ø)

Type	Diameter (Ø)																			
22007																				
22008																				
22009																				
22010	80	100	125	140	150	160	180	200	224	250	300	315	350	400	450	500	550	630	710	
22013																				
22014																				

End cap



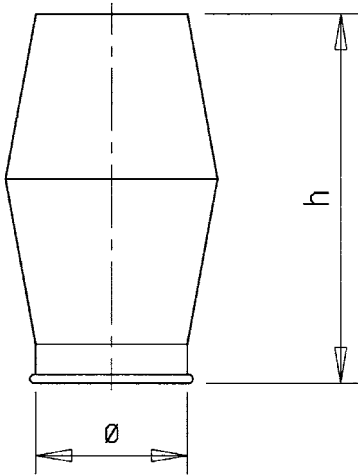
Galvanised mild steel.

E.g.: 22012.250
Type
Diameter (Ø)

L = 50 mm

Type	Diameter (Ø)																		
22012	80	100	125	140	150	160	180	200	224	250	300	315	350	400	450	500	550	630	710

Deflector cap



Galvanised mild steel.

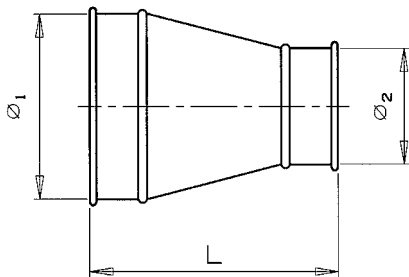
E.g.:
 Type _____
 Diameter (Ø) _____

23000.250

$h = (2 \times \text{Ø}) + 100 \text{ mm}$

Type																		
23000	100	125	140	150	160	180	200	224	250	300	315	350	400	450	500	550	630	710

Reducer



Galvanised mild steel.

E.g.:
 Type _____
 Ø₁ _____
 Ø₂ _____

QR 315 100

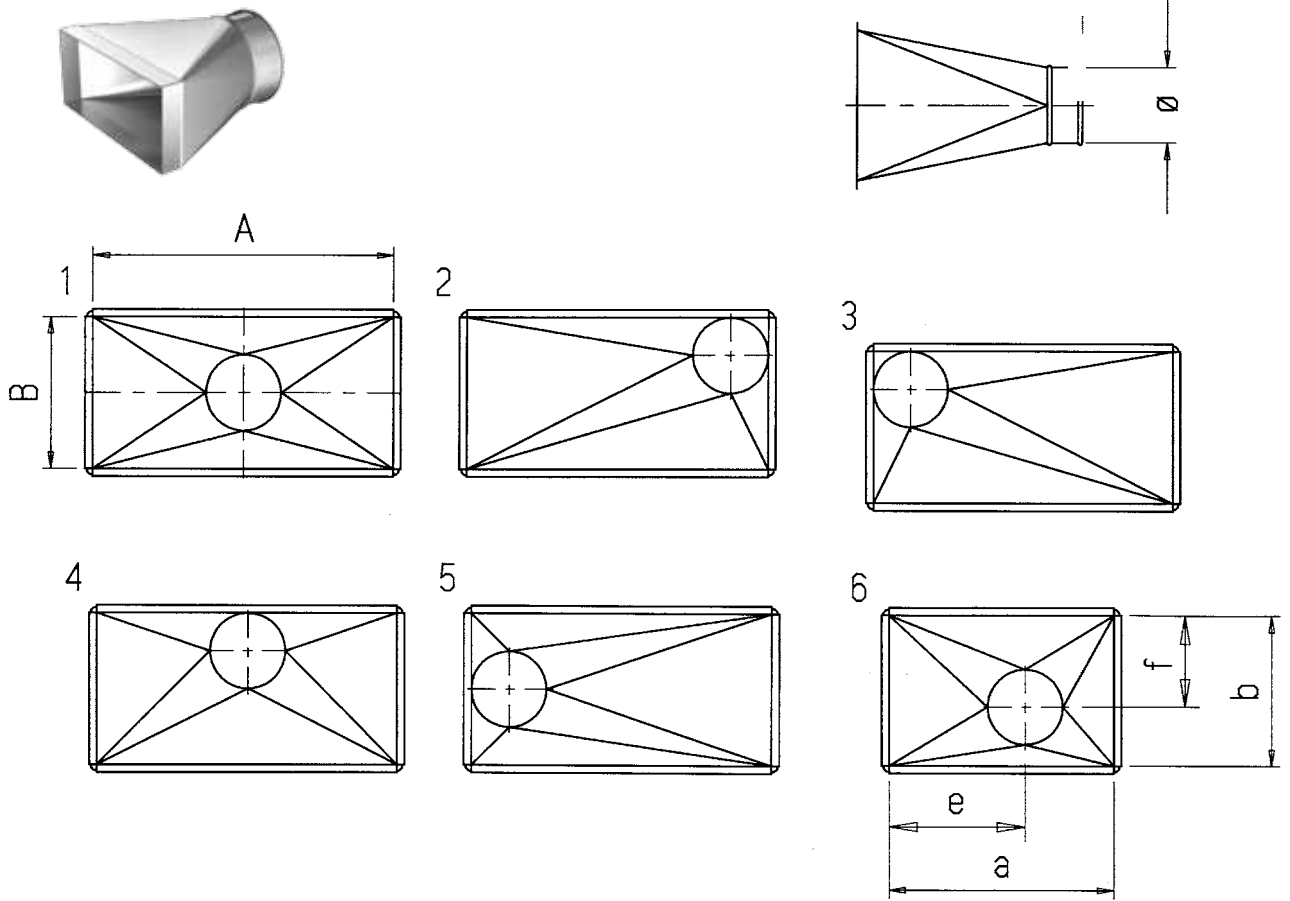
$L = (\text{Ø}_1 - \text{Ø}_2) + 50 + (2 \times 58) \text{ mm}$

= Possible variants

	Diameter Ø ₂																			
Ø ₁	80	100	125	140	150	160	180	200	224	250	300	315	350	400	450	500	560	630	710	
100																				
125																				
140																				
150																				
160																				
180																				
200																				
224																				
250																				
300																				
315																				
350																				
400																				
450																				
500																				
560																				
630																				
710																				

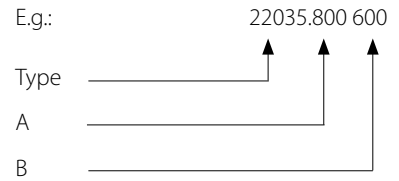
Transitions

Galvanised mild steel rectangular to round transition with flange. Also available without flange on enquiry. The different positions of the round end of the transition can be seen from the drawing.



Please specify:

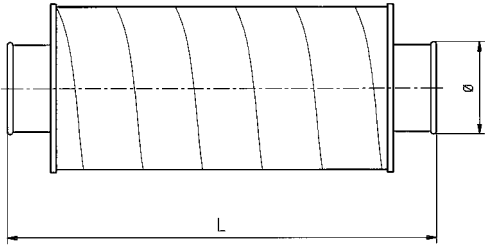
- The actual A, B, and Ø dimensions.
- The position of the connection spigot.
- The type of connection spigot (QF, spiro, or raw end).



= Possible variants. The A and B dimensions are max. dimensions.

Type	A	B												
		100	150	200	250	300	350	400	450	500	600	700	800	
23035	100													
	150													
	200													
	250													
	300													
	350													
	400													
	450													
	500													
	600													
700														
800														

Silencer

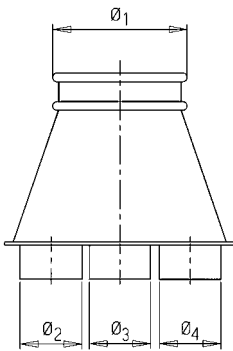


Galvanised mild steel.

E.g.: 23041.250
 Type
 Diameter (Ø)
 L = 1000 mm

Type	Diameter (Ø)																		
23041	80	100	125	140	150	160	180	200	224	250	300	315	350	400	450	500	550	630	710

Suction hood

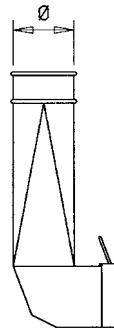


Galvanised mild steel. The number of connections varies from 2 to 8 pcs. Please specify the diameter and the connection type of the connections.

E.g.: 23012. 3 250
 Type
 Number of connections
 Ø₁

Type	No. of connections	Diameter (Ø)																	
23012	2,3,4,5,6,7,8	100	125	140	150	160	180	200	224	250	300	315	350	400	450	500	550	630	710

Floor sweep

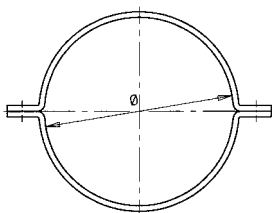


Galvanised mild steel.

E.g.: 23011.125
 Type
 Diameter (Ø)

Type	Diameter (Ø)				
23011	100	125	140	160	180

Split strap

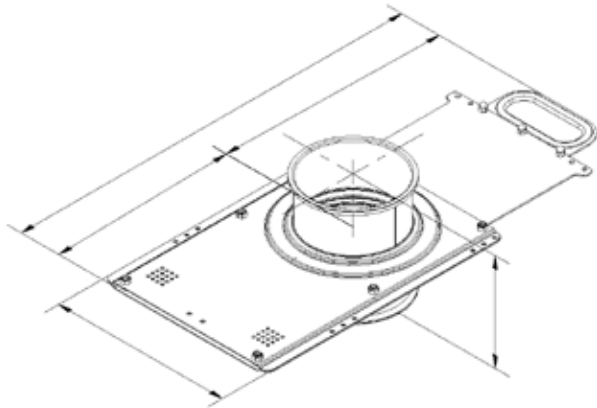


Galvanised mild steel.

E.g.: 30940.250
 Type
 Diameter (Ø)

Type	Diameter (Ø)																		
30940	80	100	125	140	150	160	180	200	224	250	300	315	350	400	450	500	550	630	710

Manual energy saving damper type SBMS



Manually operated.

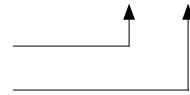
These compact and easy-to-operate dampers are made from galvanised mild steel and have a special sealing device which ensures low friction and optimum tightness.

E.g.:

28000.0125

Type

Diameter (Ø)



Dimensions (all dimensions in mm)

Specifications												
	ø50	ø63	ø80	ø100	ø108	ø125	ø140	ø150	ø160	ø180	ø200	ø224
A	369	382	439	509	517	564	619	629	679	739	799	883
B	167	180	197	217	225	242	257	267	277	297	317	341
C	145	145	145	145	145	145	145	145	145	145	145	145
D	150	157	185	220	224	248	275	280	305	335	365	407
E	219	225	254	289	293	316	344	349	374	404	434	476
Item No. QF/single edge			28000. 0080	28000. 0100		28000. 0125	28000. 0140	28000. 0150	28000. 0160	28000. 0180	28000. 0200	28000. 0224
Item No. without edge	28300. 0050	28300. 0063			28300. 0108							
Weight kg	2.5	2.5	3	3	3.5	3.5	4	4	4.5	5	6	6.5

Specifications					
	ø250	ø300	ø315	ø350	ø400
A	949	1099	1144	1279	1429
B	367	417	432	467	517
C	145	145	145	145	145
D	440	515	538	605	680
E	509	584	606	674	749
Item No. QF/single edge	28000. 0250	28000. 0300	28000. 0315	28000. 0350	28000. 0400
Weight kg	7.5	9.5	10	11.5	14

Connection:

Standard according to item number in table above.

FL flange connection: Order QF/single edge and 2 pcs. FL flanges and mount flanges at installation

No flange other sizes: Order QF/single edge and remove edges at installation

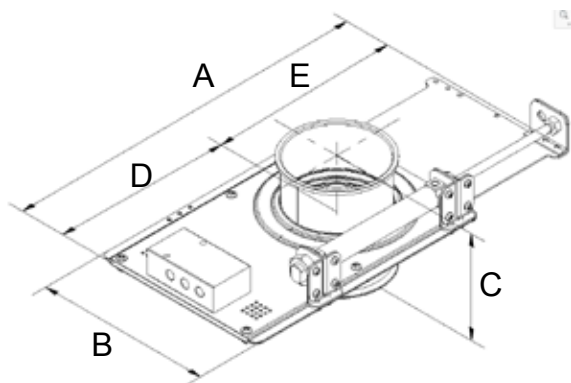
Accessories:

Cylinder complete + valve complete 230V AC for up-grade of SBMS to SBAS item No. 28010.xxx5.

ATEX:

Interior /Exterior - Any zone (no ignition source when activated and maintained correctly)

Automatic energy saving damper type SBAS



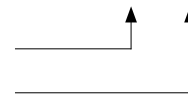
The automatic energy saving damper is driven by double acting compressed air cylinders.

The automatic energy saving damper is made from galvanised mild steel and equipped with a special sealing device which ensures low friction and optimal air tightness.

E.g.: 29010.250

Type

Diameter (Ø)



Dimensions (all dimensions in mm)

Specifications												
1 pc. pneumatic cylinder												
	ø50	ø63	ø80	ø100	ø108	ø125	ø140	ø150	ø160	ø180	ø200	ø224
A	327	340	397	467	475	522	577	587	637	697	757	841
B	167	180	197	217	225	242	257	267	277	297	317	341
C	145	145	145	145	145	145	145	145	145	145	145	145
D	150	157	185	220	224	248	275	280	305	335	365	407
E	177	183	212	247	251	274	302	307	332	362	392	434
Item No. QF/single edge (in parts)			28010.0080	28010.0100		28010.0125	28010.0140	28010.0150	28010.0160	28010.0180	28010.0200	28010.0224
Item No. without edge (in parts)	28310.0050	28310.0063			28310.0108							
Item No. QF/single edge (preassembled)			29010.0080	29010.0100		29010.0125	29010.0140	29010.0150	29010.0160	29010.0180	29010.0200	29010.0224
Item No. without edge (preassembled)	29310.0050	29310.0063			29310.0108							
Weightkg	3.5	3.5	4	4	4.5	4.5	5.5	6	6	6.5	7.5	8

Specifications					
2 pcs. pneumatic cylinders					
	ø250	ø300	ø315	ø350	ø400
A	907	1057	1102	1237	1387
B	367	417	432	467	517
C	145	145	145	145	145
D	440	515	538	605	680
E	467	542	564	632	707
Item No. QF/single edge (in parts)	28010.0250	28010.0300	28010.0315	28010.0350	28010.0400
Item No. QF/single edge (preassembled)	29010.0250	29010.0300	29010.0315	29010.0350	29010.0400
Weightkg	9.5	12	12.5	14	16.5

Protection guard 28001.xxxx1.
Accessory for installation in work zones or areas occupied by personnel.



- Connection: Standard according to item number in table above.
FL flange connection: Order QF/single edge and 2 pcs. FL flanges and mount flanges at installation
No flange other sizes: Order QF/single edge and remove edges at installation
- Supply info: Compressed air, ø6/4 mm tube connection, working pressure 6 - 8 bar
Voltage 230V AC (can be delivered for another voltage or compressed air control)
- Lubrication: The automatism is life lubricated and no lubrication is required
- Accessories: End-stop switches (one set incl. fixation part): 28010.000010
Time delay for closure, with interval from 0-30 sec. (pneumatically integrated)
Protection guards item No. 28001.xxxx1 (add 5 mm to dimensions A and E)
Cylinder complete + valve complete 230V AC for up-grade of SBMS to SBAS item No. 28010.xxx5.
- ATEX: Interior: Any zone (no ignition source)
Exterior: Standard version - for non-zone installation
Zone 22/2 or 21/1 - on request (special version)

Soluzioni per le vostre necessità di aspirazione

Vi mostriamo qui di seguito alcuni esempi di sistemi di aspirazione che fanno parte della nostra ampia gamma di prodotti.

Per maggiori informazioni potrete visitare il nostro sito internet: www.komsa.it

Bracci di aspirazione



Sistemi di aspirazione per gas di scarico veicoli



Elettroventilatori



Filtri



Filtri per impianti centralizzati



Filtri carrellati



Filtri carrellati ad alta pressione



Arrotolatori per tubi e cavi



KOMSA

KOMSA ITALIA s.r.l. - Via A. Moro, 18 - 40068 S. LAZZARO DI SAVENA (BO)

Tel. +39.051.625.55.33 +39. 051.625.60.61 Fax +39.051.625.51.88

Internet: www.komsa.it E-mail: info@komsa.it